

**MIDWEST  
CAMERA CAR**



# FLIGHT HEAD MINI 3

The Flight Head Mini 3 is a lightweight stabilized remote head made from carbon fiber that is still robust enough to carry a wide range of full-size camera packages. Perfect for static and dynamic shots, FHM3 delivers an amazing performance while eliminating camera shakes and vibration during fast or rough moves. It can be mounted on any type of moving platform: camera crane, dolly, cable cam, quad, motorbike and adapts quickly to awkward spaces, ensuring flexibility and stability for every shoot. Ergonomic control via the joystick console, handwheels, or pan bar allows precise positioning and creative camera movements.

## HIGHLIGHTS

- Digital 3-Axis Gyrostabilized
- GPS Gyro Vertical Horizon Control
- Build-in digital shake generator
- Automatic Drift Compensation
- Recorded moves with 10 memory cells
- Control via joystick, handwheels, and panbar
- Lens drive interface for Canon and Fujinon lenses
- Preston, Cmotion, and ARRI WCU4 Zoom compatible
- RF Wireless 9 channels with a ½ mile line of sight range
- Underslung and Overslung mode
- Quick-release camera plate
- Hold Position for every axis
- Angular position indication
- Auto and Custom horizon

## SPECIFICATIONS

Roll range 270°

Pan range 360°

Tilt Range 200°

Speed pan 360° / 1.8 sec

Temp. Range -40°C / +40°C

HDSI Slipping

12V Power Slipping

Head weight 12.5kg / 27.5lbs

Payload up to 18kg / 50 lbs

Standard Mitchell mount

Lightweight Rotary Mount

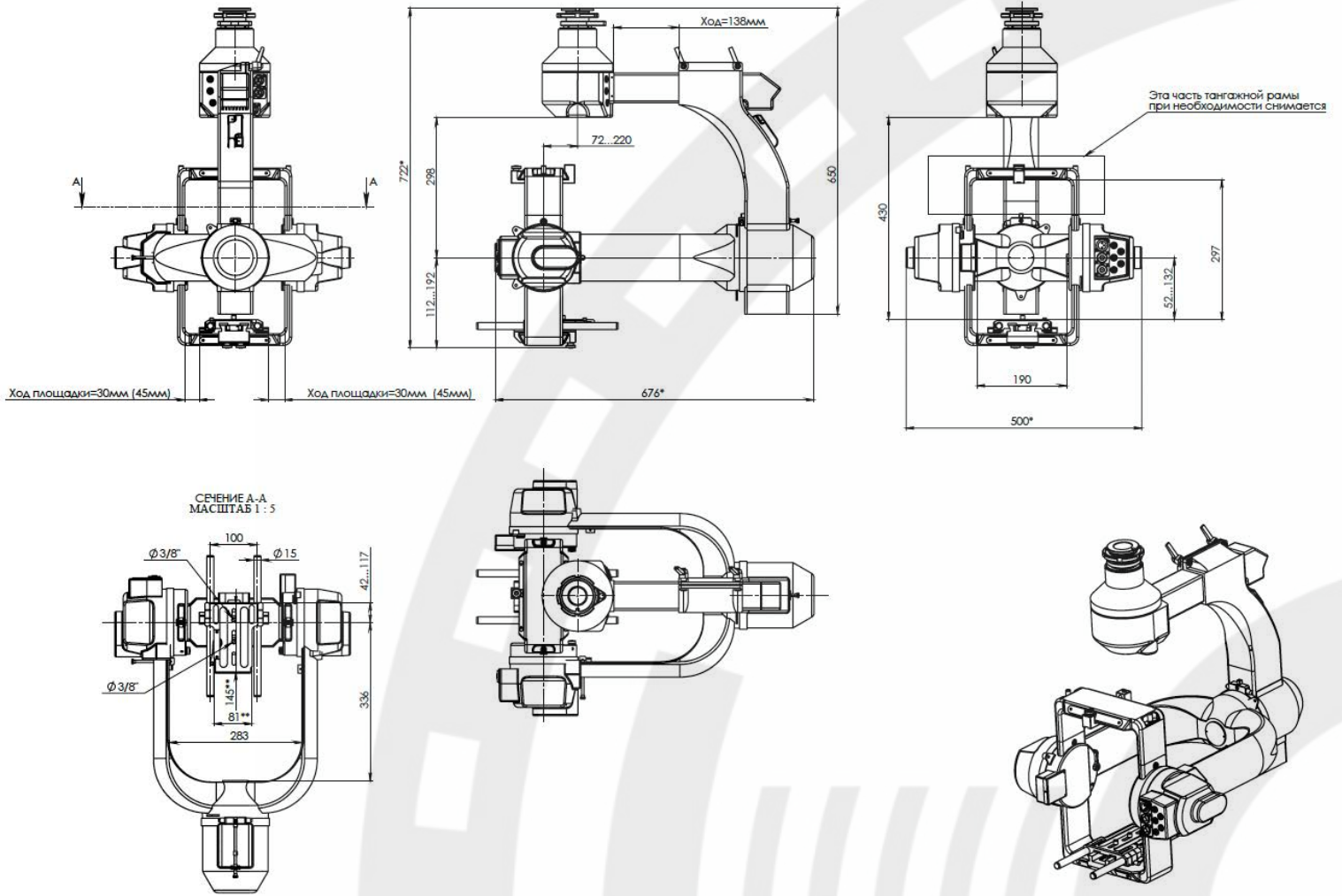
## POWER REQUIREMENTS

24-42V VDC

Standby 1.2A

Dynamic Max 15A

***filmotechnic***



**MIDWEST  
CAMERA CAR**

*filmotechnic*

**MIDWEST  
CAMERA CAR**